

## ES 4-way splitter



- High quality 4-way installation splitter
- ModemSafe™ surge protection and intermodulation reduction solution
- CPD Safe™ - NiSn plated housing
- Easy to install - compact and stackable in-line model
- 7 mm stand-off space to fit cable underneath
- Grounding block option available
- Exceeds EN Class A screening requirements



## Overview

Products within the Ecoline range excel both in electrical and mechanical performance. Though designed for use within indoor environments, they are also specified for use within street-side plant. The products are easy to install with a compact housing and some models are stackable. All F-connector contacts meet the SCTE standards (ANSI SCTE 02 2006). The material of the inner spring has been designed for connecting coax cables with an inner core of 0.56 to 1.30 mm. It retains this elasticity and provides effective clamping force even when varying thicknesses of inner conductor are connected in succession.

The intermodulation performance, which is an important factor in high level return path signals, has been greatly improved through a newly developed ferrite and specially designed circuits. The high frequency shielding exceeds Class A requirements (EN-50083-2:2006) over the whole frequency range from 5 MHz to 1000 MHz.

### Modem Safe

Modem Safe is a highly effective surge protection solution for sensitive network and in-home CPE. Based on passive circuits, the technology does not rely on discharge tubes, extending the lifespan of the solution.

- Blocks high and low voltage pulses and unwanted DC voltages
- Prevents internal ferrites within the product from becoming magnetised (avoiding deterioration in the performance of CPE)
- Drives fewer reported faults
- Improves customer service
- Reduces truck rolls

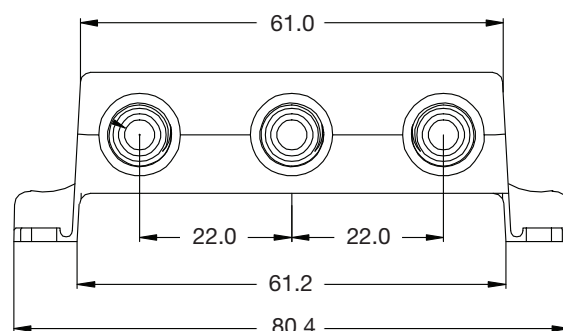
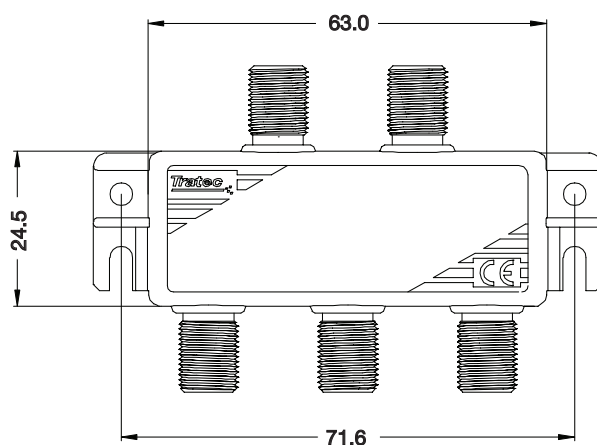
### CPD Safe

CPD (Common Path Distortion) is well known for producing signal interference on networks. It is caused by electrolytic corrosion or the oxidation of dissimilar metals when in close contact. CPD Safe technology protects against CPD.

- Removes a primary cause of CPD
- Reduces signal interference on the network
- Drives fewer reported faults
- Reduces truck rolls
- Improves customer service

### Specifications

Insertion loss (dB)	In to Out	MHz	4-Way Splitter	
			Typ	Max
		5-65	6.9	7.3
		65-300	6.8	7.2
		300-550	7.0	7.4
		550-750	7.1	7.5
		750-862	7.6	8.0
		862-1006	7.6	8.0
Return loss (dB, typ)	All ports	5-15	32.1	
		15-550	27.8	
		550-1006	22.3	
Isolation (dB)	Out to Out		Typ	Min
			5-65	43.1
		65-550	36.9	26.0
		550-1006	24.5	26.0
Screening efficiency (dB) <sup>1</sup>		5-300	>95	
		300-470	>90	
		470-950	>85	
		950-1000	>85	
Shielding effectiveness (dBi) <sup>2</sup>		5-300	Avg 130	
		300-1000	Avg 120	
Intermodulation p+q (dBC, min) <sup>3</sup>			-115.0	
Surge Class conformance <sup>4</sup>	All ports	1 kV 1.2/50µs		
Connectors	All ports	F-female		
Material	Housing	NiSn plated zinc die-cast		
	F-spring	Silver plated beryllium copper		
Impedance (Ohm, typ)		75		
Dimensions (mm)	L x H x D	80.4x49.3x15.5		
Equipment Approval	CE			



#### Remarks

- 1 Tested according to EN 50083-2 2006
- 2 Tested according to SCTE IPS-TP-403
- 3 Two carriers (50 & 55MHz), out to in, @ 120dBµV, after 10 pulses (25V/1,2µs rise time/500µs duration) at all ports  
Two carriers (50 & 55MHz), out to in, @ 120dBµV, after 1 pulse 1KV (1,2µs risetime/50µs fall time) at Input.
- 4 Tested according to IEC 61000-4-5 2005  
DC power blocking all ports

#### Ordering information

Item Name	Article number
ES-04+/N	10430073
ES-04+/N-G	10430434

Measurements taken at room temperature

© Copyright 2011 Technetix Group Limited. All rights reserved.

This document is for information only. Features and specifications are subject to change without notice. Technetix, the Technetix logo, Ingress Safe, Modem Safe and certain other marks and logos are trade marks or registered trade marks of Technetix Group Limited in the UK and certain other countries. Other brand and company names are trade marks of their respective owners. Technetix protects its technology and designs by registering patents, trade marks and designs in Europe and certain other countries.